

bent dining table

by Sebastian Herkner
TABLES



GLASS. MARBLE. MASS.

Two kinds of material united in one table. Sebastian Herkner's fine, characteristically bent with its rippled visual has been reinvented as a tough table foot. Its smooth surface and the glass elements merge into one organic ensemble. The result is a series of tables that command a closer look.

COLOURS+ART. NR



top	white	black	light green
base	transparent	transparent	transparent
medium	2313WT	2313BT	2313LGT
large	2315WT	2315BT	2315LGT



top	white	black	light green
base	smoky grey	smoky grey	smoky grey
medium	2313WG	2313BG	2313LGG
large	2315WG	2315BG	2315LGG

YEAR OF DESIGN

2019

MATERIAL

casted glass, carrara, black nero or light green marble table top

DIMENSIONS (mm)

medium Ø 1300 × 740 H
large Ø 1500 × 740 H

PRODUCT CHARACTERISTICS

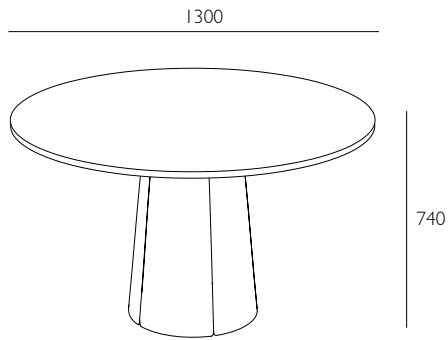
The bent is a masterwork of traditional craftsmanship. Each table is handmade and has characteristic features such as irregularities in glass thickness, colour variations, small bubbles or bumps in the glass or stone.

ASSEMBLY REQUIRED

Yes.

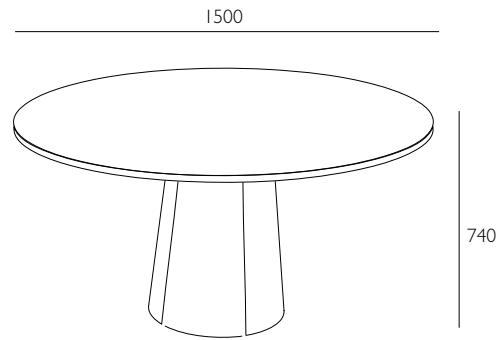
bent dining table, medium

Ø 1300 × 740 H



bent dining table, large

Ø 1500 × 740 H



CARE INSTRUCTIONS

Regular cleaning and maintenance is important in order to keep your pulpo product looking its best and to prolong its life. Always remove any kind of dirt as soon as possible. We recommend that you first test a small, invisible area to ensure that no colour change or damage arises to the product. Do not use materials for maintenance that contain abrasive agents or are basic, acid or organic.

GLASS CLEANING

For dusting and light cleaning of glass use a soft, dry cloth. For further cleaning gently wipe the surface with a soft cloth wrung in clean water and a non-abrasive commercial glass cleaner. Dry immediately afterwards with a soft, dry and clean cloth. Please note that bubbles, streaks and other variations in size and colour are part of the production process, and not defects of the design or production of handmade glass.

MARBLE CLEANING

For dusting and light cleaning of stone use a soft, dry cloth. For further cleaning gently wipe the surface with a soft cloth wrung in clean warm water. Dry immediately afterwards with a soft, dry and clean cloth.