

chouchou

by Lorenzo Zanovello
STOOL



The distinct form is a substitute for the caramelized smell of its peanut candy namesake. Just too hard to resist, its ceramic form adds a tactile feel to the chouchou stool. Available in a black, deep blue or deep pink gloss glaze, its shape speaks to the history of ceramic design in a contemporary form. A truly unique addition to any interior: Who wouldn't want a chance encounter with chouchou a little more often?

YEAR OF DESIGN
2019

MATERIAL
ceramic

DIMENSIONS (mm)
350 L × 300 W × 430 H

COLOURS + ART. NR



black
I700B



blue
I700BL



pink
I700PI



black glaze
I701BGL



cobalt glaze
I701CGL



rose glaze
I701RGL

reseda glaze
I701REGL

white glaze
I701WGL

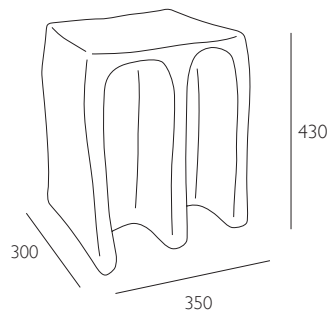
PROCESS

Each piece is created from gloss glazed ceramic. Streaks and other variations in size and colour are part of the production process, and not defects of the design or production.

chouchou

STOOL

350 L × 300 W × 430 H



CARE INSTRUCTIONS

Regular cleaning and maintenance is important in order to keep your pulpo product looking its best and to prolong its life. Always remove any kind of dirt as soon as possible. We recommend that you first test a small, invisible area to ensure that no colour change or damage arises to the product. Do not use materials for maintenance that contain abrasive agents or are basic, acid or organic.

CERAMIC CLEANING

For dusting and light cleaning of ceramic, use a soft and dry cloth. For further cleaning, gently wipe the surface with a soft cloth wrung in clean warm water. Dry immediately afterwards with a soft, dry and clean cloth. For the best maintenance of the product, care for it regularly, and try to keep it away from moisture, grease and other dirt. Furthermore, protect the surfaces against sharp objects and others that might scratch.