

pallet

by Sebastian Herkner
DAY BED



Thinking about the first significant furniture for pulpo with the typical spontaneous, artistic and crafted attitude, Sebastian Herkner wanted to design a simple but also well refined day bed. pallet is a day bed with a wooden base and a soft mattress, covered with high quality fabric. The mattress is fixed to the base with a cuff made of the same fabric.

YEAR OF DESIGN

2016

MATERIAL

fabric/leather, foam and wood

COLOURS + ART. NR

				
TOP FABRIC	black leather	black leather	terracotta leather	terracotta leather
FRAME WOOD	black	nature	black	nature
	4400LB-SS	4400LB-ON	4400LT-SS	4400LT-ON
				
TOP FABRIC	dark grey velvet	dark grey velvet	dirty pink velvet	dirty pink velvet
FRAME WOOD	black	nature	black	nature
	4400G-SS	4400G-ON	4400PI-SS	4400PI-ON

DIMENSIONS (mm)

FRAME

2000 L x 800 W x 290 H

MATTRESS

2000 L x 800 W x 80 H

PILLOW

800 L x 100 W x 80 H

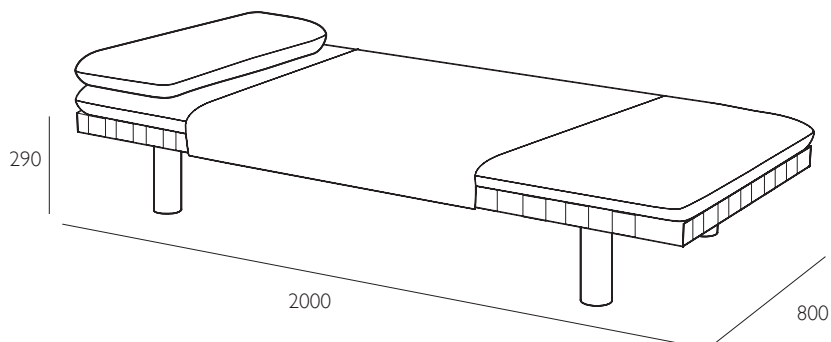
PROCESS

Each piece is created from foam-based sit, covered in either leather (by Stolz) or velvet (by Redaelli). The frame is constructed in natural or black-stained oak, weaves with natural or black jute.

pallet

DAY BED

2000 L x 800 W x 290 H



CARE INSTRUCTIONS

Regular cleaning and maintenance is important in order to keep your pulpo product looking its best and to prolong its life. Always remove any kind of dirt as soon as possible. We recommend that you first test a small, invisible area to ensure that no colour change or damage arises to the product. Do not use materials for maintenance that contain abrasive agents or are basic, acid or organic.

VELVET

For dusting and light cleaning of fabrics first try to gently brush off any dirt. If required vacuum the surface with a soft brush. For further cleaning mix clean water and stain remover. Using a wrung soft cloth, gently rub the mixture into the fabric using a circular motion. Dry immediately afterwards with a soft, dry and clean cloth.

NAPPA LEATHER

For dusting and light cleaning of Nappa leather first try to gently brush off any dirt. If required vacuum the surface with a soft brush. For further cleaning, mix clean boiled water and a neutral soap to create a foam. Using a wrung soft cloth, gently rub the foam into the leather using a circular motion. Dry immediately afterwards with a soft, dry and clean cloth.