

simple light

by Harry Thaler
TABLE LAMP



The simple light has a grandeur that lies in its strong structure and soft illumination, making it the perfect table centerpiece. Bringing light to elegant craft and honest materials. Harry Thaler initially conceived the simple light in collaboration with Venetian artisans as part of FROM-TO project – bringing together local craftsmen with international designers.

ART. NR



limestone
3100B

YEAR OF DESIGN

2014

MATERIAL

limestone and brass

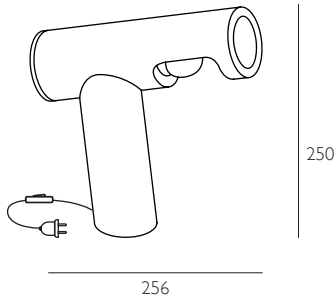
DIMENSIONS (mm)

256 L x 90 W x 250 H

PROCESS

Each piece is created from two limestone cylinders; and finished with a brushed brass disk.

simple light TABLE LAMP



BODY

limestone and brass

CABLE

3000 mm with hand switch and Euro-plug

DIMENSIONS (mm)

256L x 90W x 250H

LIGHT SOURCE

Bulb: LED

Bulb fitting: E14

Dimensions (mm): Ø45 x 76 H

Power consumption: 5 Watt

Voltage (V): 230; 50/60 Hz

Lifetime: 15 000 h

Colour temperature: 2700 K

Lumen: 2700 lm

Energy Class: A+

Finish: warm white



UL Version

LED Filament

2.5W/120V

E12, 2200 K

CARE INSTRUCTIONS

Regular cleaning and maintenance is important in order to keep your pulpo product looking its best and to prolong its life. Always remove any kind of dirt as soon as possible. We recommend that you first test a small, invisible area to ensure that no colour change or damage arises to the product. Do not use materials for maintenance that contain abrasive agents or are basic, acid or organic.

METAL CLEANING

STEEL POWDER COATED

For dusting and light cleaning of the base, use a soft and dry cloth. For further cleaning, gently wipe the surface with a soft cloth wrung in clean water and a neutral detergent or soap flakes of good quality. Dry immediately afterwards with a soft, dry and clean cloth. For the best maintenance of the product, care for it regularly, protect it against direct sunlight and heat, and try to keep it away from moisture, grease, and other dirt. Furthermore, protect the surfaces against sharp objects and other that might scratch.

LIMESTONE

For dusting and light cleaning of limestone use a soft, dry cloth. For further cleaning gently wipe the surface with a soft cloth wrung in clean warm water and a cleaner designed specifically for limestone or in clean warm water and a mild detergent. Dry immediately afterwards with a soft, dry and clean cloth.