

lyn

by Visser & Meijwaard
CABINETS



GAME. SET. MATCH.

Studio Visser & Meijwaard describe their conception of lyn as a “graphic interplay between glass and the metal frameworks”. The doorless and diverse series of cabinets and high boards are equivalent to the designers’ ambition to rethink established forms, like they did in their past as fashion designers. The reduction to the absolute essential form opens a free interplay of material and colour. Depending on the lighting conditions, the viewer’s perspective and arrangement it casts the utmost of diverse highlights.

COLOURS + ART. NR

				
CABINET	blue	green	grey	mirror
FRAME	black	black	black	black
SMALL	8400BL	8400GR	8400G	8400MI
HIGH	8401BL	8401GR	8401G	8401MI
EXTENDED	8402BL	8402GR	8402G	8402MI
MINI	8403BL	8403GR	8403G	8403MI

YEAR OF DESIGN

2020

MATERIAL

glass; powder coated steel

DIMENSIONS (mm)

lyn small
600 L x 450 W x 1100 H

lyn high
600 L x 450 W x 1850 H

lyn extended
1100 L x 450 W x 850 H

lyn mini
450 L x 300 W x 600 H

PRODUCT CHARACTERISTICS

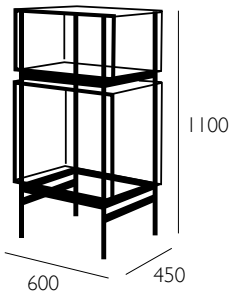
Each piece is created from coloured glass.

ASSEMBLY REQUIRED

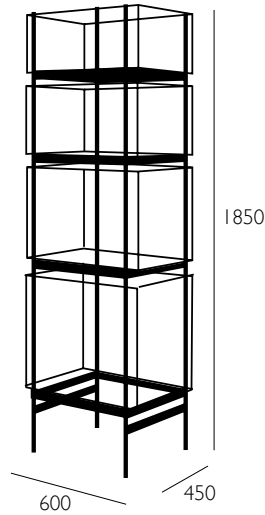
Yes.

lyn small

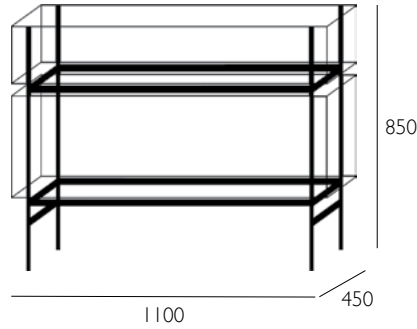
600 L x 450 W x 1100 H

**lyn high**

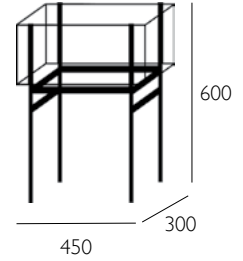
600 L x 500 W x 1850 H

**lyn extended**

1100 L x 800 W x 450 H

**lyn mini**

450 L x 250 W x 600 H

**CARE INSTRUCTIONS**

Regular cleaning and maintenance is important in order to keep your pulpo product looking its best and to prolong its life. Always remove any kind of dirt as soon as possible. We recommend that you first test a small, invisible area to ensure that no colour change or damage arises to the product. Do not use materials for maintenance that contain abrasive agents or are basic, acid or organic.

METAL CLEANING**STEEL POWDER COATED**

For dusting and light cleaning of the base, use a soft and dry cloth. For further cleaning, gently wipe the surface with a soft cloth wrung in clean water and a neutral detergent or soap flakes of good quality. Dry immediately afterwards with a soft, dry and clean cloth. For the best maintenance of the product, care for it regularly, protect it against direct sunlight and heat, and try to keep it away from moisture, grease, and other dirt. Furthermore, protect the surfaces against sharp objects and other that might scratch.

GLASS CLEANING

For dusting and light cleaning of glass use a soft, dry cloth. For further cleaning gently wipe the surface with a soft cloth wrung in clean water and a non-abrasive commercial glass cleaner. Dry immediately afterwards with a soft, dry and clean cloth. Please note that bubbles, streaks and other variations in size and colour are part of the production process, and not defects of the design or production of handmade glass.