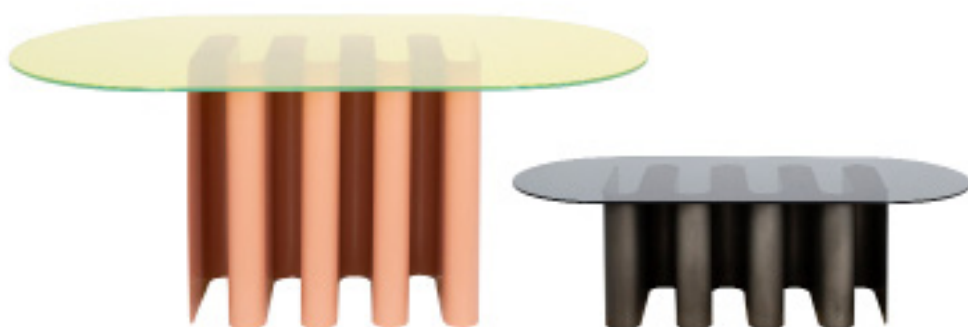


tavolo2 & tavolino2

by Julia Chiaramonti

TABLES



STRAIGHT. WAVY. FUTURISTIC.

Clear lines, avantgarde shape: Julia Chiaramonti's design philosophy is inspired by the material's distinctiveness. The base of tavolino2 side table and tavolo2 dining table is made of powder-coated or lacquered aluminum waves tamed by a glass top. The solid base comes in beige red, fango green, ultramarine blue and smoky grey.

COLOURS + ART. NR



glass top	lemon	rose	green	parsol grey
tavolo2	8702Y	8702RO	8702GR	8702G
tavolino2	8700Y	8700RO	8700GR	8700G



base	beige red	fango green	ultramarine blue	smoky grey
tavolo2	8703BERE	8703GR	8703BL	8703G
tavolino2	8701BERE	8701GR	8701BL	8701G

NOTE

All color combinations available on request.

YEAR OF DESIGN

2021

MATERIAL

glass, aluminium

DIMENSIONS (mm)

tavolo2 1800 L x 1000 W x 750 H

tavolino2 1355 L x 595 W x 400 H

PRODUCT CHARACTERISTICS

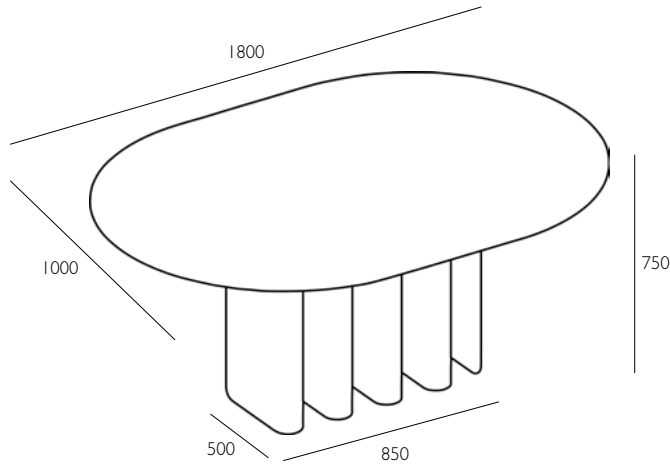
The tavolo2 & tavolino2 are masterworks of traditional craftsmanship. Each table is handmade and has characteristic features such as irregularities in metal base and colour variations.

ASSEMBLY REQUIRED

Yes.

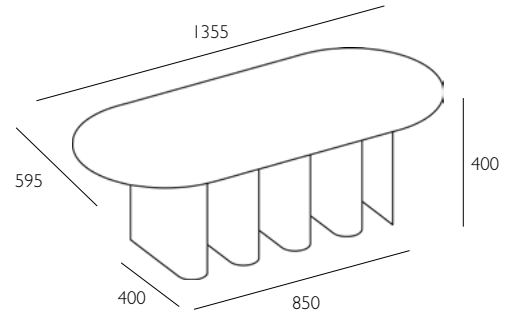
tavolo2

1800 L x 1000 W x 750 H



tavolino2

1355 L x 595 W x 400 H



CARE INSTRUCTIONS

Regular cleaning and maintenance is important in order to keep your pulpo product looking its best and to prolong its life. Always remove any kind of dirt as soon as possible. We recommend that you first test a small, invisible area to ensure that no colour change or damage arises to the product. Do not use materials for maintenance that contain abrasive agents or are basic, acid or organic.

ALUMINIUM CLEANING

These finishes are relatively fine and should therefore be lightly cleaned with the utmost care, avoiding abrasive cleaning agents. Vigorous rubbing should be avoided.

Mild soap with water and a soft brush (like nylon bristles that are very soft, or natural brushes with soft texture) or a clean lint free soft cloth to clean. A freshwater rinse is recommended method of washing the aluminium furniture, and drying with a towel (as necessary.)

Regular wiping with a soft cloth will reduce the necessity for more stringent and possibly harmful action, if dirt and grease deposits are allowed to collect on the surface.

GLASS CLEANING

For dusting and light cleaning of glass use a soft, dry cloth. For further cleaning gently wipe the surface with a soft cloth wrung in clean water and a non-abrasive commercial glass cleaner. Dry immediately afterwards with a soft, dry and clean cloth. Please note that bubbles, streaks and other variations in size and colour are part of the production process, and not defects of the design or production of handmade glass.