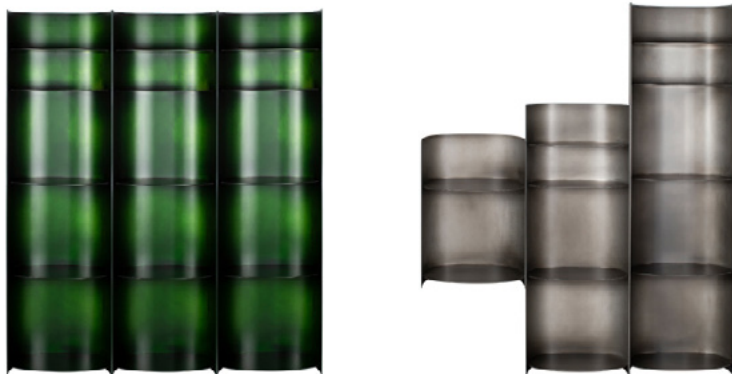


como

by Sebastian Herkner
SHELVES



STANCE. STATEMENT. FLOATING.

Sebastian Herkner's work of full aluminium seems to hover over the ground. Invisibly attached to the wall, every fixation of the variably installable ensemble is invisible. All three of the optional colors render its physical appearance in a plain, clean spatial sculpture.

YEAR OF DESIGN

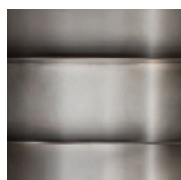
2022

MATERIAL

powder-coated aluminium

DIMENSIONS (mm)

small 450 L x 295 W x 650 H
medium 450 L x 295 W x 1200 H
large 450 L x 295 W x 1600 H



smoky grey



fango green

small	4010G	4010FG
medium	4020G	4020FG
large	4030G	4030FG

PRODUCT CHARACTERISTICS

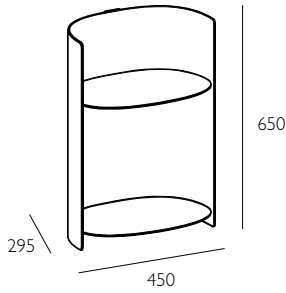
The como is a masterwork of traditional craftsmanship. Each shelf is handmade and has characteristic features such as irregularities in metal thickness and colour variations.

ASSEMBLY REQUIRED

Yes.

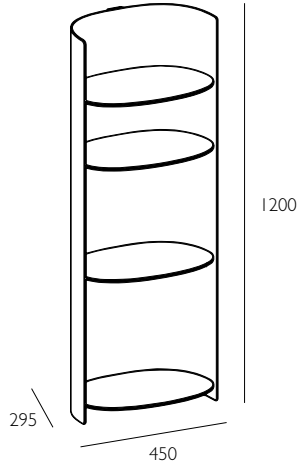
como small

450 L x 295 W x 650 H



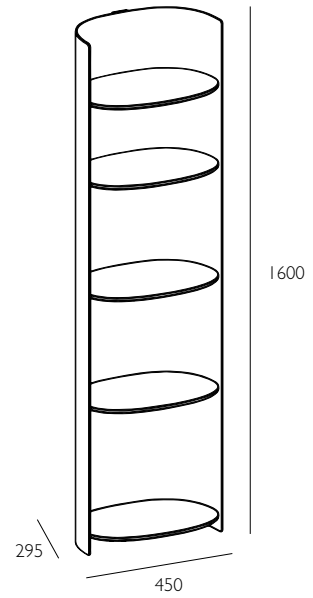
como medium

450 L x 295 W x 1200 H



como large

450 L x 295 W x 1600 H



CARE INSTRUCTIONS

Regular cleaning and maintenance is important in order to keep your pulpo product looking its best and to prolong its life. Always remove any kind of dirt as soon as possible. We recommend that you first test a small, invisible area to ensure that no colour change or damage arises to the product. Do not use materials for maintenance that contain abrasive agents or are basic, acid or organic.

ALUMINIUM CLEANING

These finishes are relatively fine and should therefore be lightly cleaned with the utmost care, avoiding abrasive cleaning agents. Vigorous rubbing should be avoided.

Mild soap with water and a soft brush (like nylon bristles that are very soft, or natural brushes with soft texture) or a clean lint free soft cloth to clean. A freshwater rinse is recommended method of washing the aluminium furniture, and drying with a towel (as necessary.)

Regular wiping with a soft cloth will reduce the necessity for more stringent and possibly harmful action, if dirt and grease deposits are allowed to collect on the surface.