

GAME. SET. MATCH.

Studio Visser & Meijwaard describe their conception of lyn as a “graphic interplay between glass and the metal frameworks”. The doorless and diverse series of cabinets and high boards are equivalent to the designers’ ambition to rethink established forms, like they did in their past as fashion designers. The reduction to the absolute essential form opens a free interplay of material and colour. Depending on the lighting conditions, the viewer’s perspective and arrangement it casts the utmost of diverse highlights.



PRODUCT CHARACTERISTICS

Each piece is created from coloured glass.

COLOURS & ART.NR



cabinet frame	blue black	green black	grey black
mini	8403BL	8403GR	8403G
small	8400BL	8400GR	8400G
high	8401BL	8401GR	8401G
extended	8402BL	8402GR	8402G

YEAR OF DESIGN

2020

MATERIAL

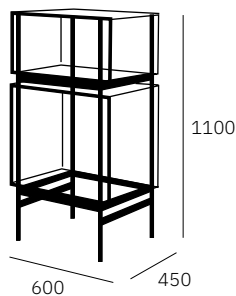
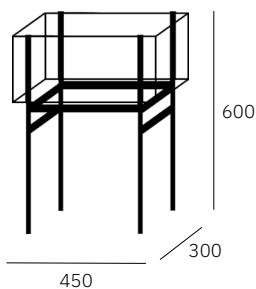
Glass and powder coated steel

DIMENSIONS (mm)

mini: 450L x 300W x 600H
 small: 600L x 450W x 1100H
 high: 600L x 450W x 1850H
 extended: 1100L x 450W x 820H

ASSEMBLY REQUIRED

Yes.

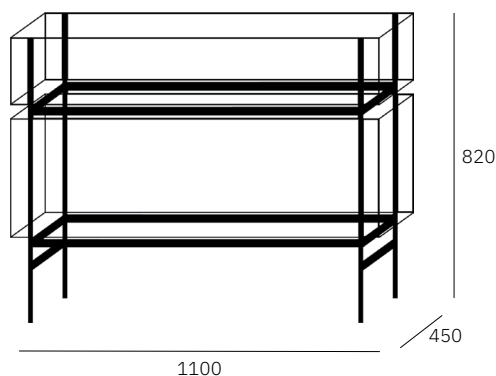
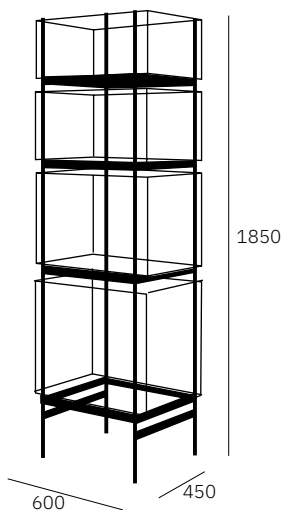


LYN MINI CABINET

450L × 300W × 600H

LYN SMALL CABINET

600L × 450W × 1100H



LYN HIGH CABINET

600L × 450W × 1850H

LYN EXTENDED CABINET

1100L × 450W × 820H

CARE INSTRUCTIONS

Regular cleaning and maintenance is important in order to keep your pulpo product looking its best and to prolong its life. Always remove any kind of dirt as soon as possible. We recommend that you first test a small, invisible area to ensure that no colour change or damage arises to the product. Do not use materials for maintenance that contain abrasive agents or are basic, acid or organic.

METAL CLEANING

Powder coated steel

For dusting and light cleaning of the base, use a soft and dry cloth. For further cleaning, gently wipe the surface with a soft cloth wrung in clean water and a neutral detergent or soap flakes of good quality. Dry immediately afterwards with a soft, dry and clean cloth. For the best maintenance of the product, care for it regularly, protect it against direct sunlight and heat, and try to keep it away from moisture, grease, and other dirt. Furthermore, protect the surfaces against sharp objects and other that might scratch.

GLASS CLEANING

For dusting and light cleaning of glass use a soft, dry cloth. For further cleaning gently wipe the surface with a soft cloth wrung in clean water and a non-abrasive commercial glass cleaner. Dry immediately afterwards with a soft, dry and clean cloth. Please note that bubbles, streaks and other variations in size and colour are part of the production process, and not defects of the design or production of handmade glass.