

## STRONG. ROOMY. STATEMENT

A powerful statement in your interior, that is as bold as cozy... Wham, an upholstered furniture series designed by Hermann August Weizenegger is just that! Inspired by the scale and form of Bauhaus architecture, yet softly upholstered on a solid metal frame, Wham offers strong lines and soft surfaces.



### COLOURS & ART.NR

#### WHAM ONE

base function	base color	art.nr + fabric name
fixed	chrome	9101CHR_FAB1
fixed	grey	9101G_FAB1
fixed	chrome	9101CHR_FAB2
fixed	grey	9101G_FAB2
swivel	chrome	9102CHR_FAB1
swivel	grey	9102G_FAB1
swivel	chrome	9102CHR_FAB2
swivel	grey	9102G_FAB2

↑ Replace FAB1/FAB2 with desired fabric

#### WHAM TWO

base color	art.nr + fabric name
chrome	3060AUBB
grey	3030AUBB
chrome	3040AUBB
grey	3050AUBB

↑ Replace FAB1/FAB2 with desired fabric

#### WHAM THREE

base color	art.nr + fabric name
chrome	3060AUBB
grey	3030AUBB
chrome	3040AUBB
grey	3050AUBB

↑ Replace FAB1/FAB2 with desired fabric

#### CUSHION

art.nr + fabric name
9000CU_FAB1
9000CU_FAB2

↑ Replace FAB1/FAB2 with desired fabric

#### YEAR OF DESIGN

2024

#### MATERIAL

Fabric and steel

#### DIMENSIONS (mm)

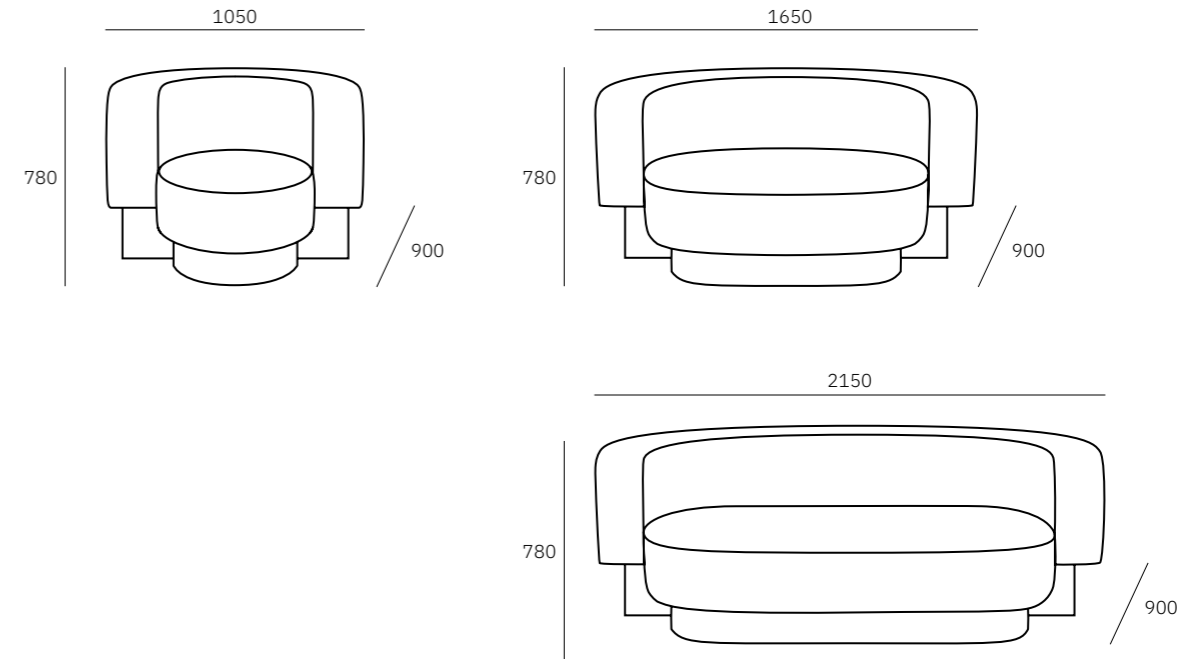
one: 1050 L x 900 W x 780 H, seat H: 45  
two: 1650 L x 900 W x 780 H, seat H: 45  
three: 2150 L x 900 W x 780 H, seat H: 45  
cushion: 500 L x 150 W x 500 H

#### ASSEMBLY REQUIRED

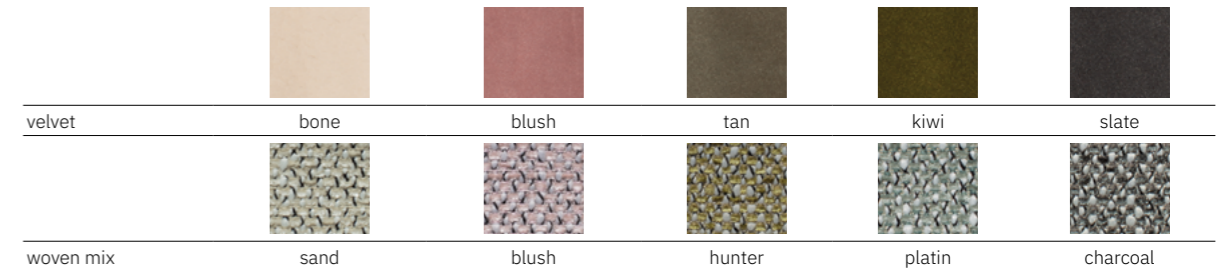
Yes.

### FULLY CUSTOMIZABLE!

1. Size + base function  
Wham One fixed or swivel, Wham Two or Wham Three
2. Fabric  
make a choice from our selection on the right or ask for other options!
3. Base color  
chrome or grey
4. Throw in some cushions!



#### FB1 FABRIC GROUP 1



#### FB2 FABRIC GROUP 2



#### CARE INSTRUCTIONS

Regular cleaning and maintenance is important in order to keep your pulpo product looking its best and to prolong its life. Always remove any kind of dirt as soon as possible. We recommend that you first test a small, invisible area to ensure that no colour change or damage arises to the product. Do not use materials for maintenance that contain abrasive agents or are basic, acid or organic.

#### METAL CLEANING

**STEEL POWDER COATED**  
For dusting and light cleaning of the base, use a soft and dry cloth. For further cleaning, gently wipe the surface with a soft cloth wrung in clean water and a neutral detergent or soap flakes of good quality. Dry immediately afterwards with a soft, dry and clean cloth. For the best maintenance of the product, care for it regularly, protect it against direct sunlight and heat, and try to keep it away from moisture, grease, and other dirt. Furthermore, protect the surfaces against sharp objects and other that might scratch. Please note that brass may develop a patina over time. The darkening of the surface is due to oxidation. If left untreated, the surface will eventually turn entirely darker.

#### FABRIC CLEANING

Vacuum upholstery regularly with the appropriate attachment. Many spots can be removed with a cloth and warm water; add a mild soap if necessary. If you need to use a stain remover, first test it in an inconspicuous area. Avoid using cleaners that contain bleach and refrain from vigorous scrubbing. Carefully dry damp areas with a hairdryer to prevent water stains. For heavy soiling or difficult stains, please consult a professional.